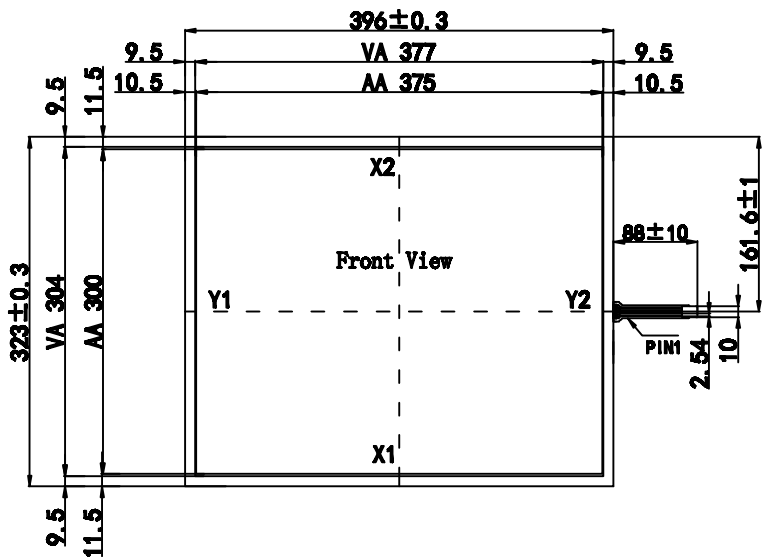
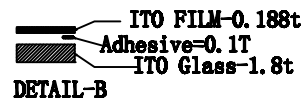
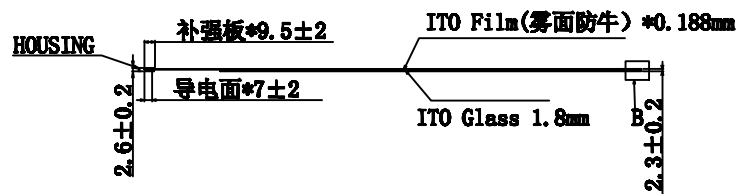
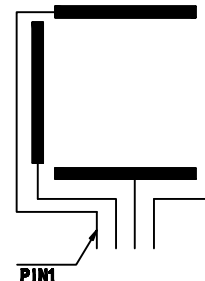


由 Autodesk 教育版产品制作



Contact Side:

PIN	Assignment
1	Y1
2	X1
3	Y2
4	X2



FPC QC002-8.35

Instruction:

- | | |
|---|---|
| <ol style="list-style-type: none"> 1. Type: Film to Glass 2. Operating Voltage: 3~7V 3. Response Time: ≤10ms 4. Storage Temperature: -20°C~+70°C 5. Operation Temperature/Humidity: -10°C~+60°C/20%~95% 6. Hitting Life: >10,000,000 Times. 250gf Force 7. Writting Life: >1,000,000 Times 250gf Force 8. Connect Material: FPC | <ol style="list-style-type: none"> 9. Film Thickness: 0.188mm 10. Glass Thickness: 1.8mm 11. Light Transmission: ≥78% 12. Force: 100g or less 13. Linearity: ≤1.5% 14. Insulation: ≥20MΩ 15. Surface Hardness ≥3H(pencil) 16. 未标注公差为 ±0.3 |
|---|---|

MODEL NO.	TS190A4B004	UNIT:	MM
DRAWN:	ZSY	TOLRANCE:	±0.3
DATE:	12-8-25	SCALE:	1:1
VERSION:	A0	REV:	